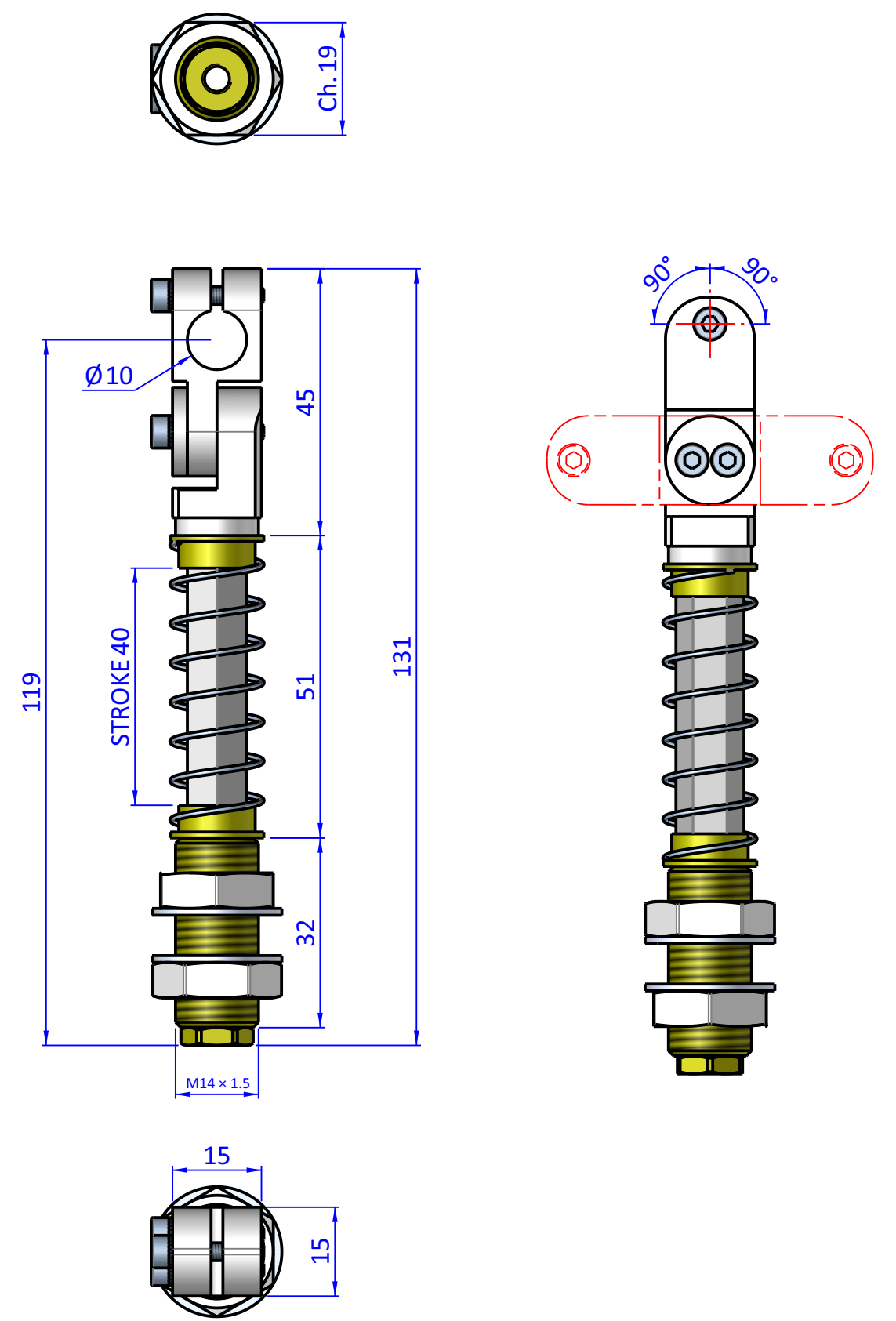
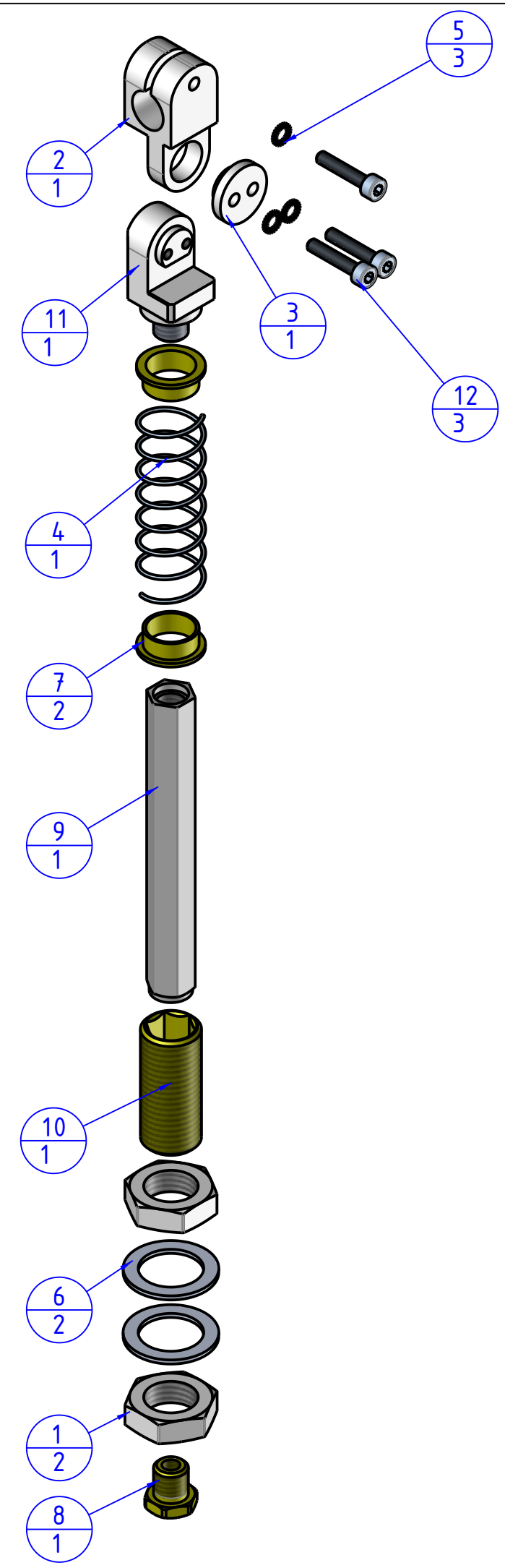



THE PROPERTY OF THE DRAWING IS ESTABLISHED BY LAW. IT IS FORBIDDEN TO PRODUCE OR SHOW IT TO THIRD PART, WITHOUT A WRITTEN AGREEMENT.

Item	Name	Q.ty
1	05.01.001.06	2
2	GVR.10.2	1
3	GVR.10.3	1
4	M.14.8X55	1
5	R.3.SCH	3
6	R.14.SCH	2
7	SAE.14181815.4	2
8	SAE.14181815.5	1
9	SAE.14181840.1	1
10	SAEG.14181815.3	1
11	SAM.1410.1	1
12	V.TCE3x16	3



Format A3
UNI 936-76

 FPS FPSERVICES AUTOMATION		DESIGNED FROM		REVIEW
		FPS Automation		A
GENERAL TOLERANCE		DATE	WEIGHT	
UNI - ISO 2768		24/05/2024	0,073kg	
CLASSE f		CODE		
CA.SAMG.144010		CA.SAMG.144010		